

## GROUND RODS

ALL ITEMS  
MARKED \*



### COPPERCLAD - STANDARD

- \* Cat. No. 90-8 – 1/2" diam. x 8' long
- \* Cat. No. 91-10 – 1/2" diam. x 10' long
- \* Cat. No. 94-8 – 5/8" diam. x 8' long
- \* Cat. No. 94-10 – 5/8" diam. x 10' long
- \* Cat. No. 97-8 – 3/4" diam. x 8' long
- \* Cat. No. 97-10 – 3/4" diam. x 10' long
- \* Cat. No. 97-12 – 3/4" diam. x 12' long
- \* Cat. No. 97C-10 – 1" diam. x 10' long



### COPPERCLAD - SECTIONAL

(Threaded both ends)

- \* Cat. No. 94-8S – 5/8" diam. x 8' long
- \* Cat. No. 94-10S – 5/8" diam. x 10' long
- \* Cat. No. 97-8S – 3/4" diam. x 8' long
- \* Cat. No. 97-10S – 3/4" diam. x 10' long
- \* Cat. No. 97C-10S – 1" diam. x 10' long
- \* Cat. No. 90-8S – 1/2" diam. x 8' long
- \* Cat. No. 90-10S – 1/2" diam. x 10' long



### SOLID COPPER

- Cat. No. 90-8-C – 1/2" diam. x 8' long
- Cat. No. 91-10-C – 1/2" diam. x 10' long
- Cat. No. 94-8-C – 5/8" diam. x 8' long
- Cat. No. 94-10-C – 5/8" diam. x 10' long
- Cat. No. 97-8-C – 3/4" diam. x 8' long
- Cat. No. 97-10-C – 3/4" diam. x 10' long
- Cat. No. 97C-10-C – 1" diam. x 10' long

### STAINLESS STEEL

- Cat. No. 90-8ST – 1/2" diam. x 8' long
- Cat. No. 91-10ST – 1/2" diam. x 10' long
- Cat. No. 94-8ST – 5/8" diam. x 8' long
- Cat. No. 94-10ST – 5/8" diam. x 10' long
- Cat. No. 97-8ST – 3/4" diam. x 8' long
- Cat. No. 97-10ST – 3/4" diam. x 10' long
- Cat. No. 97C-10ST – 1" diam. x 10' long
- Cat. No. 97C-8ST – 1" diam. x 8' long

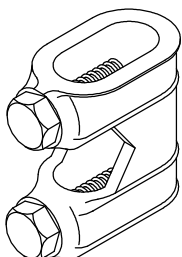


# ROBBINS LIGHTNING, INC.

124 EAST SECOND STREET PHONE (660) 582-3156 FAX (660) 582-3039 P.O. BOX 440 MARYVILLE, MISSOURI 64468-0440

## GROUND ROD CLAMPS

ALL ITEMS



1/2 actual size

### TAP TYPE GROUND CLAMP

Heavy Cast Bronze Tap Type Ground Rod Clamp with 5/16" stainless steel bolts for tension on rod. No. 98 (1/2" size) has 2" contact length along axis of rod and will handle cables through 5/8" diameter. No. 98A has 3" contact length and will handle cables through 3/4" diameter. No. 98B has 3" contact length and will handle cables through 7/8" diameter.

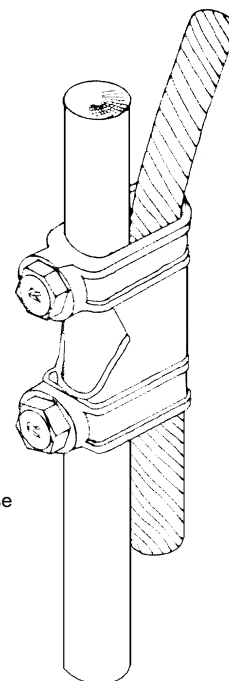
#### Copper

**Cat. No. 98** – for 1/2" Rod  
**Cat. No. 98A** – for 5/8" Rod  
**Cat. No. 98B** – for 3/4" Rod

#### Aluminum\*

**Cat. No. A98** – for 1/2" Rod  
**Cat. No. A98A** – for 5/8" Rod  
**Cat. No. A98B** – for 3/4" Rod

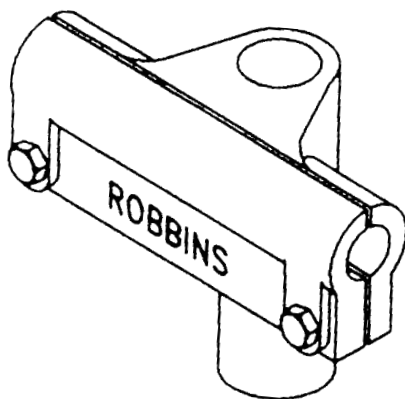
\* Should not be installed below grade.



Typical Use

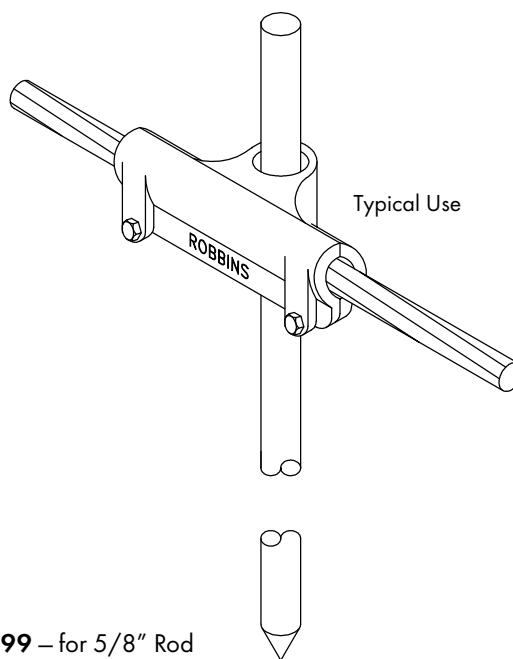
### BUS TYPE GROUND CLAMP

Heavy Cast Bronze Bus Type Ground Rod Clamp with 5/16" bronze bolt tension on rod. All clamps have 2-1/4" contact length along axis of rod and 4" cable contact. For cables No. 1 through No. 605.



#### Copper

**Cat. No. 99** – for 5/8" Rod  
**Cat. No. 99A** – for 3/4" Rod  
**Cat. No. 99B** – for 1/2" Rod



Typical Use

# ROBBINS LIGHTNING, INC.

124 EAST SECOND STREET PHONE (660) 582-3156 FAX (660) 582-3039 P.O. BOX 440 MARYVILLE, MISSOURI 64468-0440



## GROUND ROD COUPLINGS



Coupling  
1/2 actual size

Made of strong copper alloy.

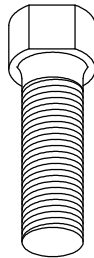
**Cat. No. 203-G2** – for 1/2" Ground Rod

**Cat. No. 203-G5** – for 5/8" Ground Rod

**Cat. No. 203-G6** – for 3/4" Ground Rod

**Cat. No. 203-G8** – for 1" Ground Rod

## GROUND ROD DRIVING STUD



Driving Stud  
1/2 actual size

For use with couplings to protect threads.  
Made of high strength steel.

**Cat. No. 232-G2** – for 1/2" Coupling

**Cat. No. 232-G5** – for 5/8" Coupling

**Cat. No. 232-G6** – for 3/4" Coupling

**Cat. No. 232-G8** – for 1" Coupling

## GROUND ROD DRIVING SLEEVE

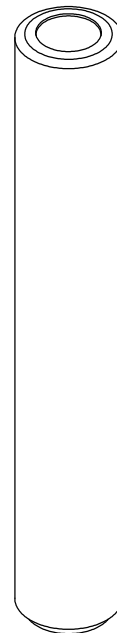
For use on standard ground rods to prevent  
top from mushrooming.  
Made of high strength steel.

**Cat. No. 233-G2** – for 1/2" Ground Rod

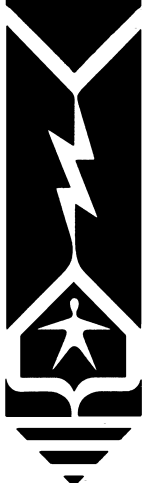
**Cat. No. 233-G5** – for 5/8" Ground Rod

**Cat. No. 233-G6** – for 3/4" Ground Rod

1/2 actual size



Driving Sleeve



# ROBBINS LIGHTNING, INC.

124 EAST SECOND STREET PHONE (660) 582-3156 FAX (660) 582-3039 P.O. BOX 440 MARYVILLE, MISSOURI 64468-0440

# GROUND PLATES

ALL ITEMS



## COPPER FLAT PLATES

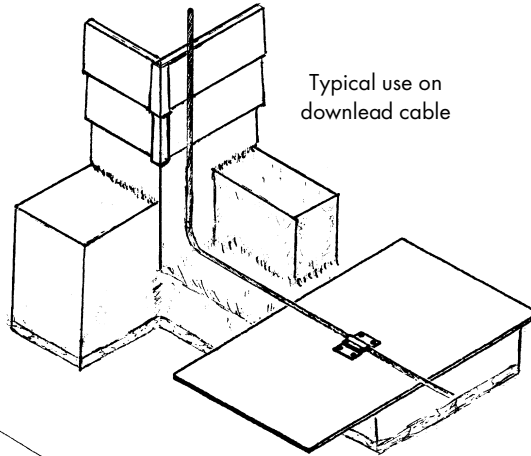
Copper ground plates for installation in place of ground rods where shallow top soil is encountered – for soil depth of 1 ft. to 2 ft. use No. 89 (two square feet) plate – for soil depth less than 1 ft. use No. 89A (nine square feet) plate – copper thickness 0.032" – for cables No. 1 through No. 605.

### Copper

Cat. No. 88 – 12" x 24"

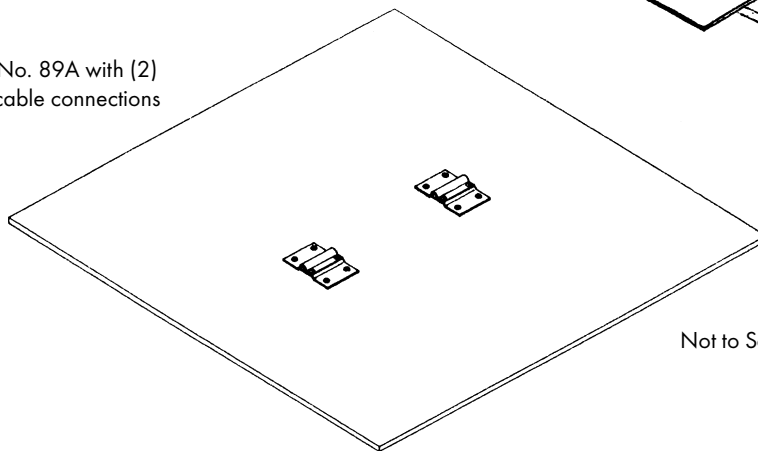
Cat. No. 88A – 24" x 24"

Cat. No. 88B – 36" x 36"



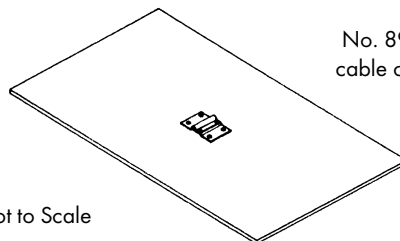
Typical use on  
download cable

No. 89A with (2)  
cable connections



Not to Scale

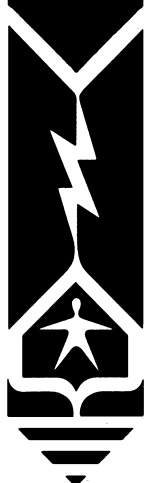
No. 89 with (1)  
cable connection



Not to Scale

# ROBBINS LIGHTNING, INC.

124 EAST SECOND STREET PHONE (660) 582-3156 FAX (660) 582-3039 P.O. BOX 440 MARYVILLE, MISSOURI 64468-0440



## PVC GROUND ACCESS WELLS

Ground Access Wells of Schedule 40  
PVC – 1/4" thick galvanized steel lid.

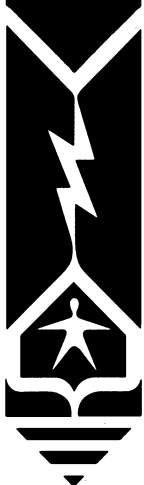
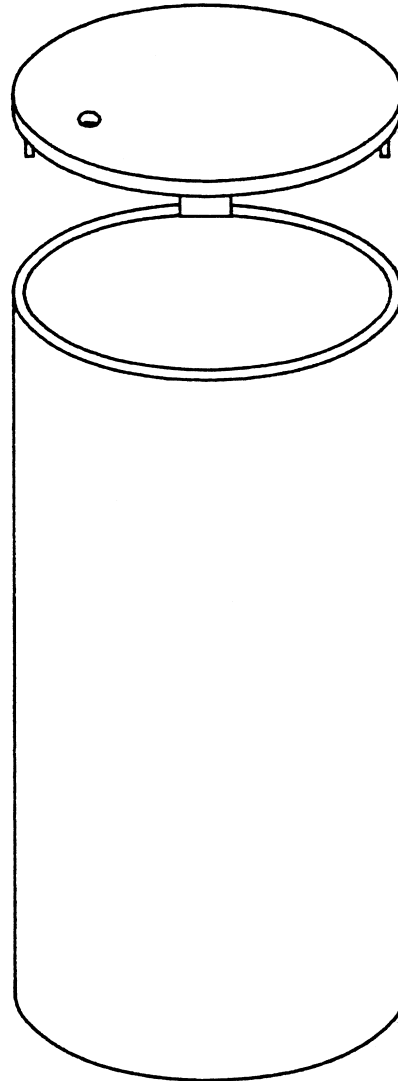
**Cat. No. 89A-18** – 6" I.D. x 18" long  
**Cat. No. 89A-24** – 6" I.D. x 24" long  
**Cat. No. 89A-36** – 6" I.D. x 36" long

**Cat. No. 89B-18** – 8" I.D. x 18" long  
**Cat. No. 89B-24** – 8" I.D. x 24" long  
**Cat. No. 89B-36** – 8" I.D. x 36" long

**Cat. No. 89C-18** – 10" I.D. x 18" long  
**Cat. No. 89C-24** – 10" I.D. x 24" long  
**Cat. No. 89C-36** – 10" I.D. x 36" long

**Cat. No. 89D-18** – 12" I.D. x 18" long  
**Cat. No. 89D-24** – 12" I.D. x 24" long  
**Cat. No. 89D-36** – 12" I.D. x 36" long

Other sizes available on request.



# ROBBINS LIGHTNING, INC.

124 EAST SECOND STREET PHONE (660) 582-3156 FAX (660) 582-3039 P.O. BOX 440 MARYVILLE, MISSOURI 64468-0440

# CABLE DISCONNECTOR

ALL ITEMS



Heavy cast bronze or aluminum cable disconnecter with separate bolt tension cable clamps – 1-1/2" cable contact surface. For use to test ground resistance or for use on movable equipment. For cables No. 1 through No. 605.

No. 694 and No. A694 do not have anchor bolts.

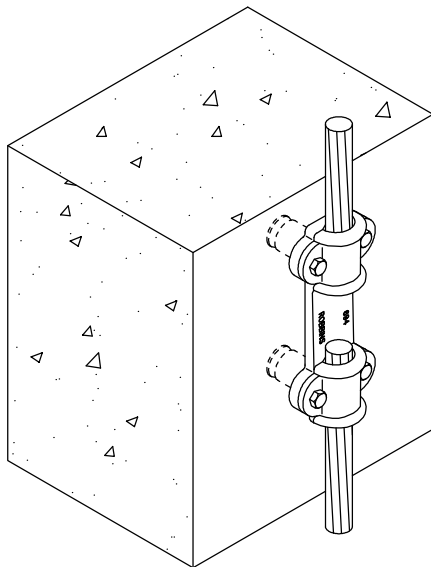
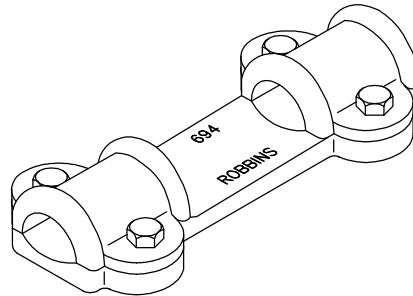
No. 695 and No. A695 are furnished with two 1/4" flat head bolts and two 1/4" lead expansion anchors.

**Cat. No. 694** – Copper

**Cat. No. A694** – Aluminum

**Cat. No. 695** – Copper

**Cat. No. A695** – Aluminum



Typical use on masonry wall

# ROBBINS LIGHTNING, INC.

124 EAST SECOND STREET PHONE (660) 582-3156 FAX (660) 582-3039 P.O. BOX 440 MARYVILLE, MISSOURI 64468-0440

