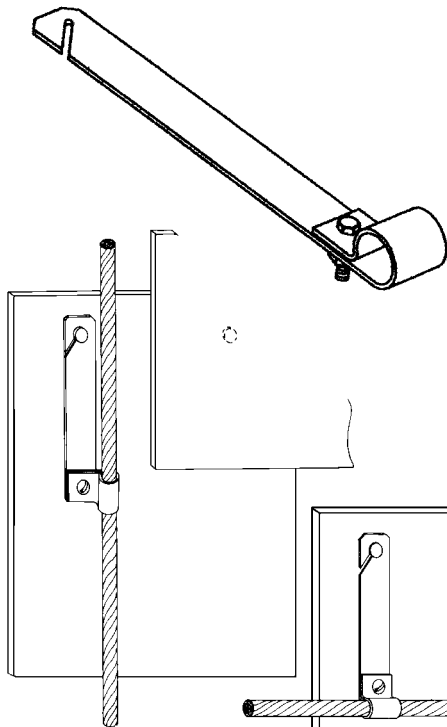


SLATE ROOF CABLE HOLDER



Tinned copper or aluminum strap cable holder for use under flat slate roof sections – made of 1" wide strap with loop, bolt and nut to secure cable – simply slips under slate to hook on existing nail – for all cables.

Cat. No. 76A – Copper

Cat. No. A76A – Aluminum

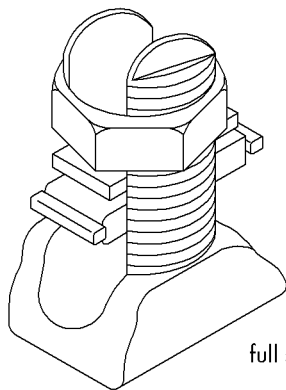
Typical use on horizontal cable

Typical use on vertical cable run

SPLIT BOLT CONNECTORS

Used For Fence Grounding or Wire Mesh

High strength bronze split bolt connectors, completely tin plated for use with copper, aluminum or steel wires – spacer allows separation of dissimilar metals – contact paste recommended when used with aluminum wire – for use in attaching home service protectors, grounding fence wire fabric and other grounding work – not recommended for use as splice for Lightning Protection system circuits.



full size

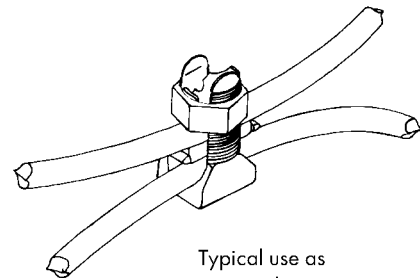
Copper

Cat. No. 124A – Maximum wires 0.217" diam.

Cat. No. 124B – Maximum wires 0.271" diam.

Cat. No. 124C – Maximum wires 0.385" diam.

Cat. No. 124D – Maximum wires 0.443" diam.



Typical use as wire splicer

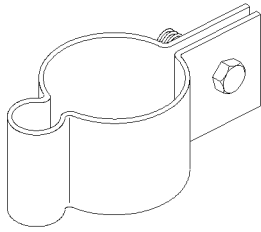
ROBBINS LIGHTNING, INC.

124 EAST SECOND STREET PHONE (660) 582-3156 FAX (660) 582-3039 P.O. BOX 440 MARYVILLE, MISSOURI 64468-0440



PIPE AND HANDRAIL CABLE HOLDERS

ALL ITEMS



1/2 actual size

Strap type cable or point holder for use on vertical or horizontal pipe run – copper holder made of tinned copper strap 1" wide, 0.064" thick – aluminum holder made of aluminum strap 1" wide, 0.080" thick – furnished with 1" long bronze or stainless steel bolt and nut for tension on pipe – for cables No. 1 through No. 605 and point diameters 3/8" to 5/8" – various pipe sizes available on request.

Copper

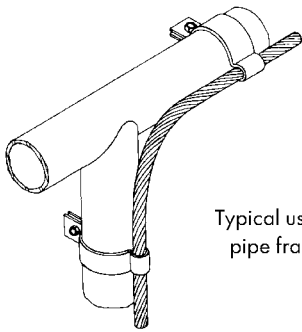
Cat. No. 821A – for 1-1/2" OD pipe

Cat. No. 821B – for 2" OD pipe

Aluminum

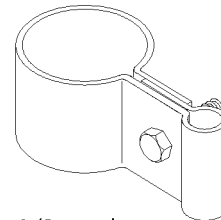
Cat. No. A821A – for 1-1/2" OD pipe

Cat. No. A821B – for 2" OD pipe



Typical use on pipe frame

Strap type cable or point holder for use on vertical or horizontal pipe run – copper holder made of tinned copper strap 1" wide, 0.064" thick – aluminum holder made of aluminum strap 1" wide, 0.080" thick – stand-off distance 1" from wall of pipe – furnished with 1" long bronze or stainless steel bolt and nut for tension on pipe – for cables No. 1 through No. 605 and point diameters 3/8" to 5/8" – various pipe sizes available on request.



1/2 actual size

Copper

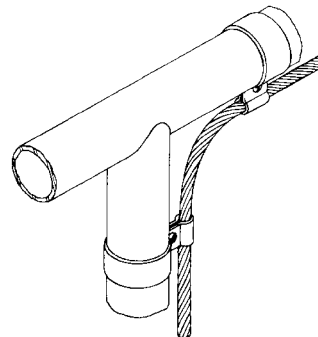
Cat. No. 822A – for 1-1/2" OD pipe

Cat. No. 822B – for 2" OD pipe

Aluminum

Cat. No. A822A – for 1-1/2" OD pipe

Cat. No. A822B – for 2" OD pipe



Typical use on pipe frame

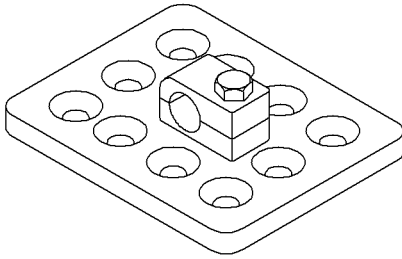
ROBBINS LIGHTNING, INC.

124 EAST SECOND STREET PHONE (660) 582-3156 FAX (660) 582-3039 P.O. BOX 440 MARYVILLE, MISSOURI 64468-0440



ADHESIVE CABLE HOLDERS

ALL ITEMS

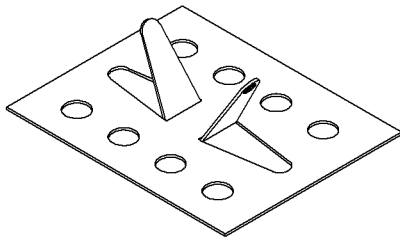
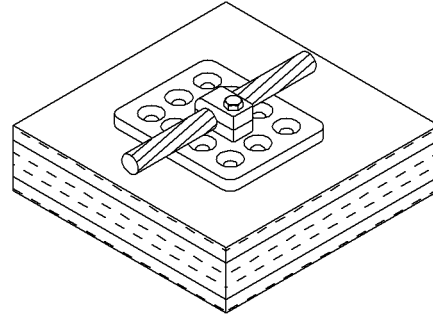


Adhesive cable holder of heavy cast bronze or aluminum. Should be placed on flat or gently sloping roof surface in a bed of hot pitch or approved adhesive.

Cat. No. 682 – Copper

Cat. No. A682 – Aluminum

Typical use on
built-up roof

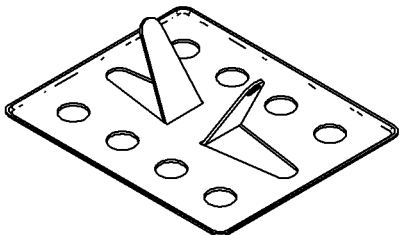
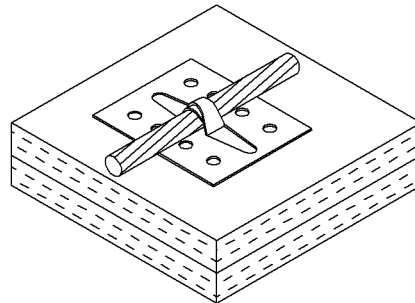


Adhesive cable holder of stamped and formed copper or aluminum. Should be placed on flat or gently sloping roof surface in a bed of hot pitch or approved adhesive.

Cat. No. 683 – Copper

Cat. No. A683 – Aluminum

Typical use on
built-up roof



Adhesive cable holder of stamped and formed copper or aluminum. Should be placed on flat or gently sloping roof surface in a bed of hot pitch or approved adhesive.

Cat. No. 683N – Copper

Cat. No. A683N – Aluminum

ROBBINS LIGHTNING, INC.

124 EAST SECOND STREET PHONE (660) 582-3156 FAX (660) 582-3039 P.O. BOX 440 MARYVILLE, MISSOURI 64468-0440

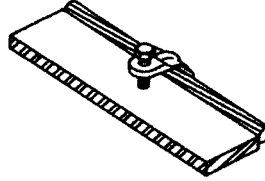


CABLE HOLDERS



Cast bronze or aluminum clamp for use in supporting cable on metal column or rib – may be used on column edge to 1/2" thick – compression type cable holder for cable No. 1 through No. 605 – with one 1/4" bolt for tension on column or rib.

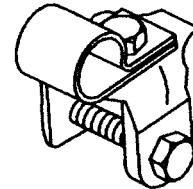
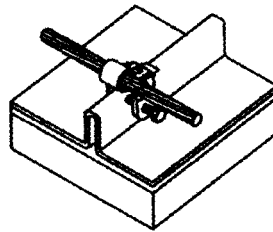
Cat. No. 77X – Copper
Cat. No. A77X – Aluminum



STANDING SEAM CABLE HOLDERS

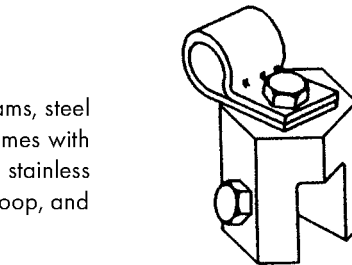
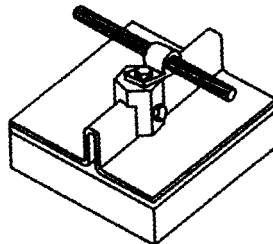
Cast bronze or aluminum cable holder for use on standing seams, steel beams, etc., where no penetration of metal is desired or permitted. Consists of No. 77X or No. A77X clamp with No. 72 or No. A72 loop, two 1/4" stainless bolts, and copper or aluminum shim to protect seam.

Cat. No. 75 – Copper
Cat. No. A75 – Aluminum



Machined brass or aluminum hexagonal holder for use on standing seams, steel beams, etc. where no penetration of metal is desired or permitted. Comes with No. 72 or No. A72 loop, which can be attached to either of two 1/4" stainless bolts depending on direction of seam, 1/4" stainless nut for tightening loop, and copper or aluminum shim to protect seam.

Cat. No. 79 – Copper
Cat. No. A79 – Aluminum



ROBBINS LIGHTNING, INC.

124 EAST SECOND STREET PHONE (660) 582-3156 FAX (660) 582-3039 P.O. BOX 440 MARYVILLE, MISSOURI 64468-0440



CABLE FASTENERS

ALL ITEMS

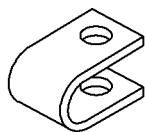


LOOP FASTENER (SMALL)

Strap copper or aluminum loop type cable fastener requiring one nail or screw – 1/2" wide, copper 0.032" thick, aluminum 0.051" thick – for cables 1/4" through 1/2" diameter – for nail or screw to No. 10 (3/16") diameter.

Cat. No. 72A – Copper

Cat. No. A72A – Aluminum

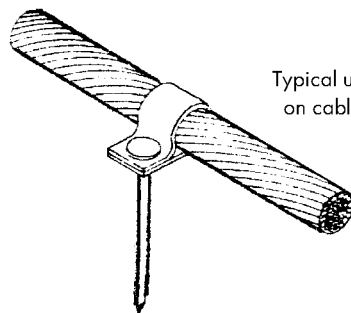


LOOP FASTENER (LARGE)

Strap copper or aluminum loop type cable fastener requiring one nail or screw – 5/8" wide, copper 0.032" thick, aluminum 0.051" thick – for cables 3/8" through 5/8" diameter – for screw or bolt to 1/4" diameter.

Cat. No. 72 – Copper

Cat. No. A72 – Aluminum

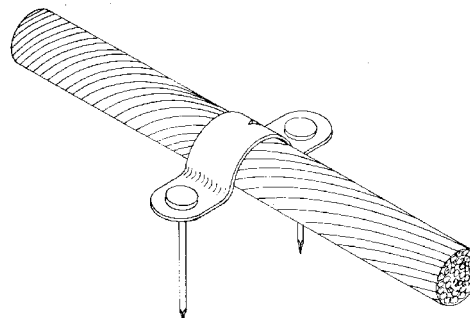
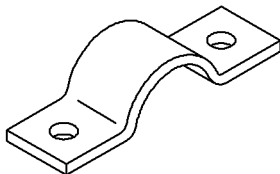


STRAP FASTENER

Strap copper or aluminum two-hole cable fastener – copper strap 0.032" thick, aluminum strap 0.051" thick. Strap 1/2" wide for cables 1/4" through 1/2" diameter – for nail or screw to No. 10 (3/16") diameter.

Cat. No. 72C – Copper

Cat. No. A72C – Aluminum



Typical use
on cable

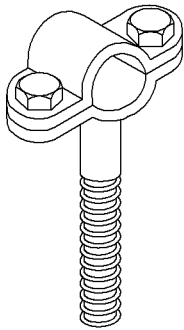


ROBBINS LIGHTNING, INC.

124 EAST SECOND STREET PHONE (660) 582-3156 FAX (660) 582-3039 P.O. BOX 440 MARYVILLE, MISSOURI 64468-0440

CABLE FASTENERS

ALL ITEMS



1/2 actual size

STAND-OFF CABLE HOLDER

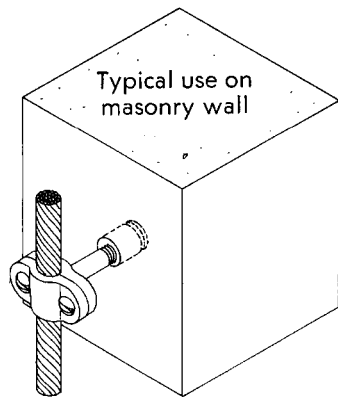
Heavy cast bronze or aluminum stand-off cable holder – two screw tension on cable – 1" to 2" stand-off distance – for cables No. 1 through No. 605 – available without fastener (No. 74 or No. A74), with No. 86A lead anchor (No. 74A or No. A74A) or with two 3/8" nuts and washers (No. 74B or No. A74B).

Copper

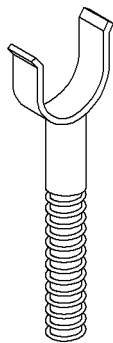
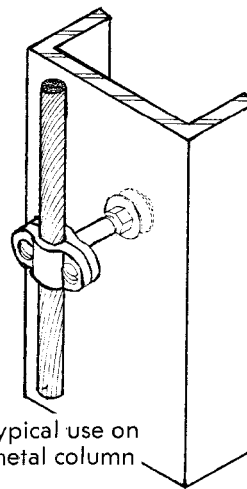
- Cat. No. 74 – 3/8" threaded end
- Cat. No. 74A – with lead anchor
- Cat. No. 74B – with nuts and washers

Aluminum

- Cat. No. A74 – 3/8" threaded end
- Cat. No. A74A – with lead anchor
- Cat. No. A74B – with nuts and washers



1/2 actual size



STAND-OFF CABLE HOLDER (COMPRESSION TYPE)

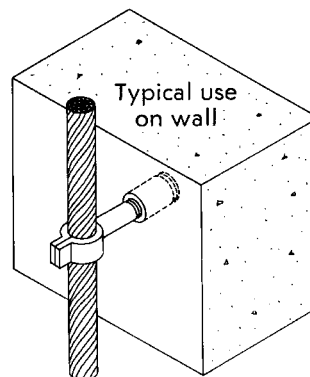
Heavy cast bronze or aluminum compression type stand-off cable holder – 1" to 2" stand-off distance – for cables No. 1 through No. 605 – available without fastener (No. 73A or No. A73A), with No. 86A lead anchor (No. 73B or No. A73B) or with two 3/8" nuts and washers (No. 73C or No. A73C). (For Class 1 structures only.)

Copper

- Cat. No. 73A – 3/8" threaded end
- Cat. No. 73B – with lead anchor
- Cat. No. 73C – with nuts and washers

Aluminum

- Cat. No. A73A – 3/8" threaded end
- Cat. No. A73B – with lead anchor
- Cat. No. A73C – with nuts and washers



ROBBINS LIGHTNING, INC.

124 EAST SECOND STREET PHONE (660) 582-3156 FAX (660) 582-3039 P.O. BOX 440 MARYVILLE, MISSOURI 64468-0440



CABLE FASTENERS

ALL ITEMS

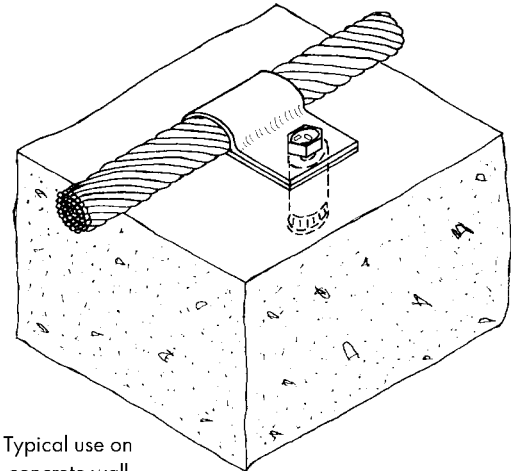
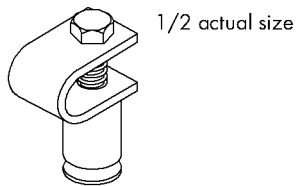


MASONRY ANCHOR

Complete masonry anchor assembly consisting of No. 72 copper or No. A72 aluminum loop with 1/4" x 1" stainless steel bolt and No. 86 lead expansion anchor.

Cat. No. 82 – Copper

Cat. No. A82 – Aluminum



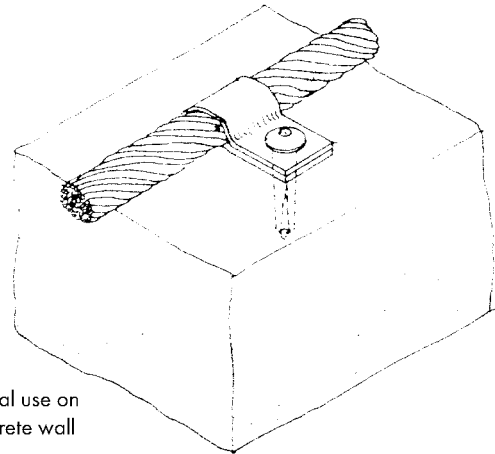
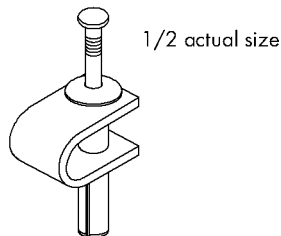
Typical use on concrete wall

MASONRY ANCHOR

Complete masonry anchor assembly consisting of No. 72 copper or No. A72 aluminum loop with No. 86Z nail-in anchor.

Cat. No. 82Z – Copper

Cat. No. A82Z – Aluminum



Typical use on concrete wall



ROBBINS LIGHTNING, INC.

124 EAST SECOND STREET PHONE (660) 582-3156 FAX (660) 582-3039 P.O. BOX 440 MARYVILLE, MISSOURI 64468-0440

CABLE FASTENERS

ALL ITEMS

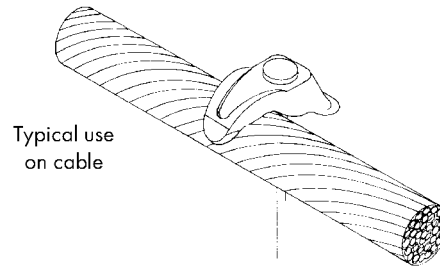


1/2 actual size

CABLE CLIP

Cast bronze or aluminum clip for holding cables through 9/16" diameter – anchor hole for nail, screw or bolt to 1/4" diameter – heel of clip exerts positive pressure on cable.

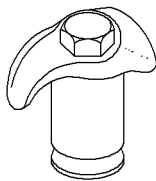
Cat. No. 81B – Copper
Cat. No. A81B – Aluminum



Typical use on cable

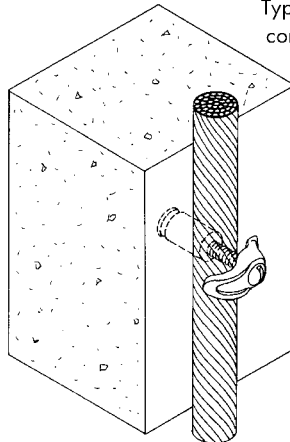
MASONRY ANCHOR CLIPS

Complete masonry anchor assembly consisting of cast bronze or aluminum clips shown on this page with 1/4" x 1" brass or stainless steel bolt and No. 86 lead expansion anchor.

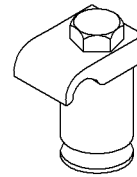


1/2 actual size

Cat. No. 81C – Copper
Cat. No. A81C – Aluminum

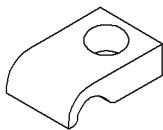


Typical use on concrete wall



1/2 actual size

Cat. No. 81D – Copper
Cat. No. A81D – Aluminum

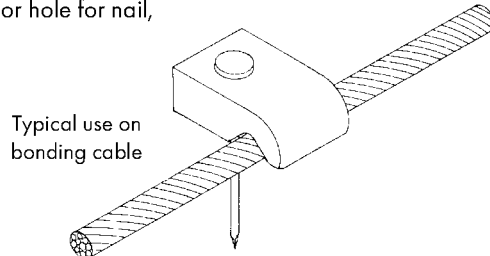


1/2 actual size

WIRE OR MINIATURE CABLE CLIP

Cast bronze or aluminum clip for holding wire or miniature cable through 3/8" diameter – anchor hole for nail, screw or bolt to 1/4" diameter.

Cat. No. 81 – Copper
Cat. No. A81 – Aluminum



Typical use on bonding cable

ROBBINS LIGHTNING, INC.

124 EAST SECOND STREET PHONE (660) 582-3156 FAX (660) 582-3039 P.O. BOX 440 MARYVILLE, MISSOURI 64468-0440

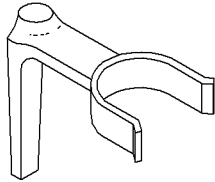


SPECIAL PURPOSE FASTENERS

ALL ITEMS



FOR CLASS I
STRUCTURES
ONLY

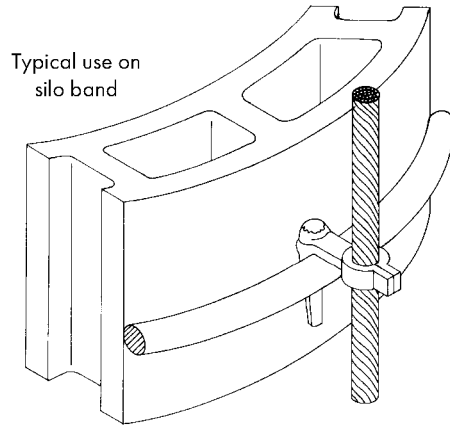


1/2 actual size

SILO BAND DRIVE FASTENER

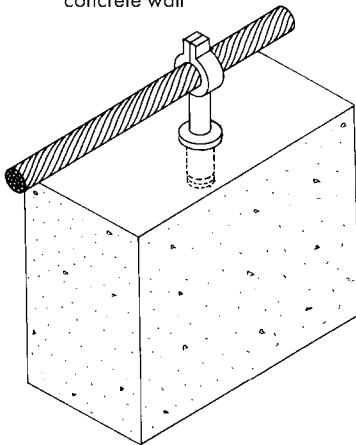
Cast bronze or aluminum drive fastener for use on steel bands of silos – one piece malleable construction for compression holding of cable – for cables No. 1 through No. 605.

Cat. No. 150 – Copper
Cat. No. A150 – Aluminum



Typical use on
silo band

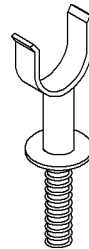
Typical use on
concrete wall



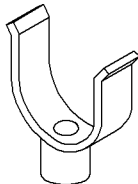
STAND-OFF CABLE HOLDER

Cast bronze or aluminum stand-off cable holder for use with No. 86 lead expansion anchor in masonry or with No. A80E-4 nut on metal surface – cable located 1" off surface – pinch type closure – for cable No. 1 through No. 604.

Cat. No. 73 – Copper
Cat. No. A73 – Aluminum



1/2 actual size

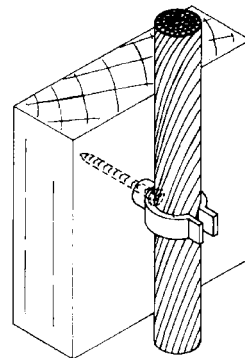


1/2 actual size

PINCH TYPE CABLE HOLDER

Cast bronze or aluminum stand-off cable holder for use with 3/16" diameter nail, wood screw or metal screw – for cables No. 1 through No. 605.

Cat. No. 81A – Copper
Cat. No. A81A – Aluminum



Typical use on wall

ROBBINS LIGHTNING, INC.

124 EAST SECOND STREET PHONE (660) 582-3156 FAX (660) 582-3039 P.O. BOX 440 MARYVILLE, MISSOURI 64468-0440



"U" BOLT FASTENERS

ALL ITEMS
MARKED *



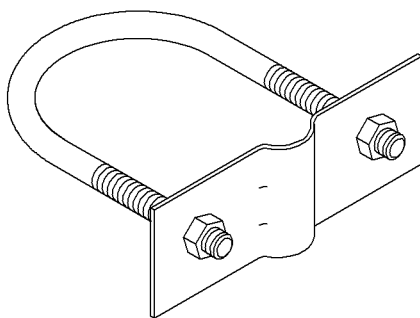
Point to pipe or handrail U-Bolt clamp type fastener. U-Bolt clamps available in 3/8", 1/4" or 5/16" diameter stainless steel.

NOTE: Specify pipe O.D. when ordering.

* **Cat. No. 80-U-4SS** – 1/4" Stainless

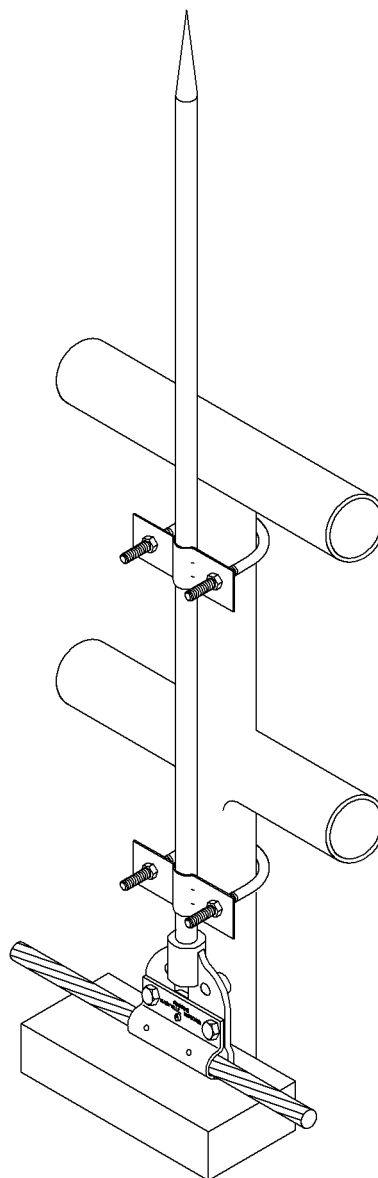
* **Cat. No. 80-U-3SS** – 3/8" Stainless

* **Cat. No. 80-U-5SS** – 5/16" Stainless



1/2 actual size

Typical use
on handrail



ROBBINS LIGHTNING, INC.

124 EAST SECOND STREET PHONE (660) 582-3156 FAX (660) 582-3039 P.O. BOX 440 MARYVILLE, MISSOURI 64468-0440

-99-

