

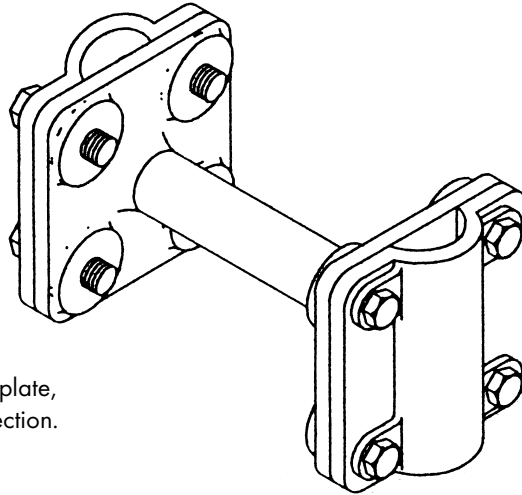
# EMBEDDED CABLE OUTLET



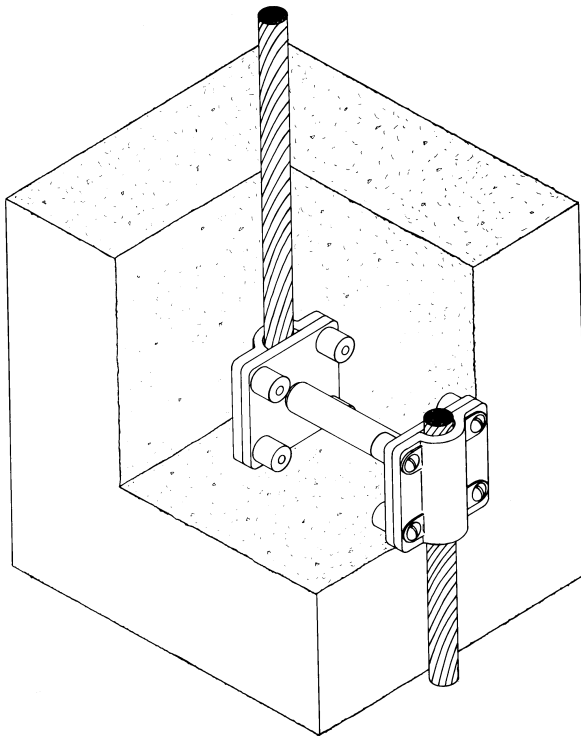
Heavy cast bronze cable outlet for use in poured concrete or pre-cast concrete columns or walls – 2-1/4" contact surface for cable – 3" distance between face of plates – four 1/4" bolts for tension on cables No. 1 through No. 605.

Not recommended for walls less than 6" thick.

**Cat. No. 641** – Copper  
**Cat. No. A641\*** – Aluminum



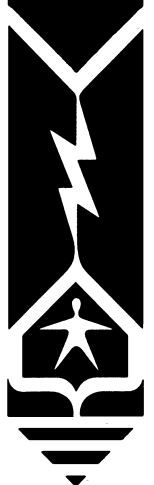
\*When used with aluminum exposed cable, this part is provided with one aluminum cover plate, stainless steel bolts and shim for bimetal connection.



Typical use in concrete column

# ROBBINS LIGHTNING, INC.

124 EAST SECOND STREET PHONE (660) 582-3156 FAX (660) 582-3039 P.O. BOX 440 MARYVILLE, MISSOURI 64468-0440



## EMBEDDED TERMINAL OUTLET



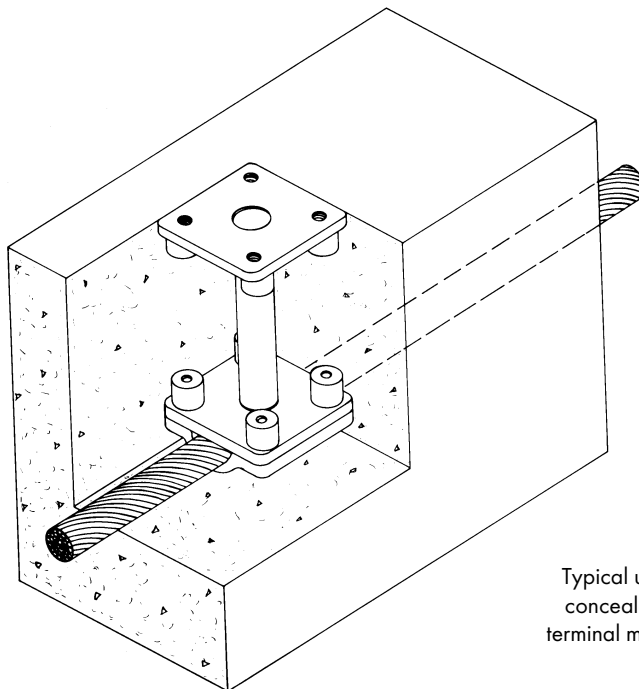
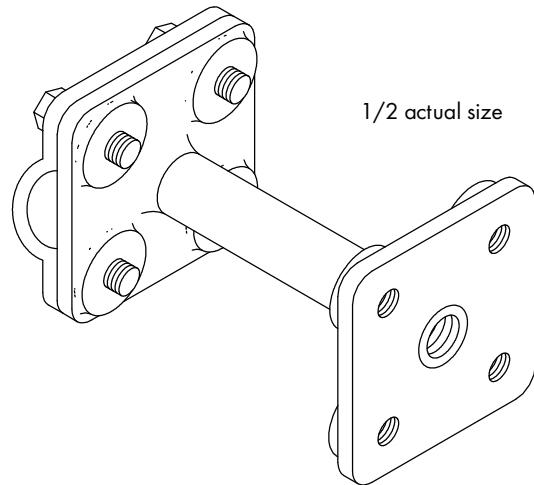
Heavy cast bronze terminal outlet for use in concrete wall or floor – 2-1/4" contact surface for cables No. 1 through No. 605 – surface plate will accept 1/4" or 3/8" bolts with thread depth of 1/2" – shipped with four bolts 3/4" long.

**Cat. No. 643-3** – Copper – 3/8" threaded

**Cat. No. 643-4** – Copper – 1/4" threaded

**Cat. No. A643-4\*** – Aluminum – 1/4" threaded

\*When used with aluminum air terminal mounting, this part is provided with stainless steel bolts and shim for bimetal connection.



Typical use for  
concealed air  
terminal mounting

# ROBBINS LIGHTNING, INC.

124 EAST SECOND STREET PHONE (660) 582-3156 FAX (660) 582-3039 P.O. BOX 440 MARYVILLE, MISSOURI 64468-0440



## CABLE SPLICERS



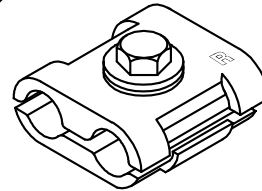
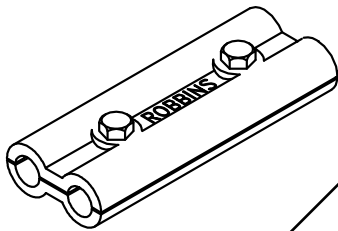
### PARALLEL CABLE SPLICERS

Heavy cast bronze or aluminum cable splicer with two 1/4" bolts for tension on cable – for straight cable run splice or tee splice by bending cable. Two sizes available – No. 52 for copper cables only No. 1 through No. 601, 3" long – No. 52A and No. A52A for copper cables No. 601 through No. 605 and all aluminum main cables, 4" long.

**Cat. No. 52** – Copper

**Cat. No. 52A** – Copper

**Cat. No. A52A** – Aluminum

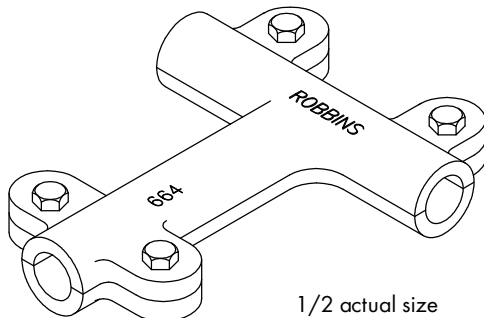


Heavy cast bronze or aluminum cable splicer – one bolt tension – for any combination of main or secondary cables or wires – 1-1/2" cable contact.

**Cat. No. 52S** – Copper

**Cat. No. A52S** – Aluminum

### TEE CABLE SPLICERS



1/2 actual size

Heavy cast bronze or aluminum cable splicer with four 1/4" bolts for tension on cable – 3" cable contact each direction – for cables No. 1 through No. 605 – for U.L. Class I or Class II Structures.

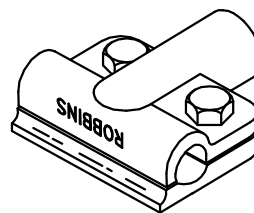
**Cat. No. 664** – Copper

**Cat. No. A664** – Aluminum

Heavy cast bronze or aluminum cable splicer with two 1/4" bolts for tension on cable – 1-3/4" cable contact each direction – for cables No. 1 through No. 605 for U.L. Class I structures only.

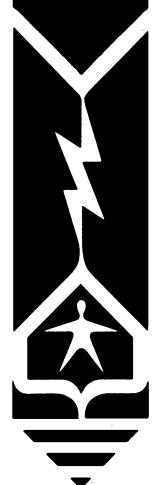
**Cat. No. 664A** – Copper

**Cat. No. A664A** – Aluminum



# ROBBINS LIGHTNING, INC.

124 EAST SECOND STREET PHONE (660) 582-3156 FAX (660) 582-3039 P.O. BOX 440 MARYVILLE, MISSOURI 64468-0440



## CABLE SPLICERS



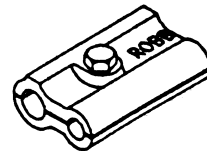
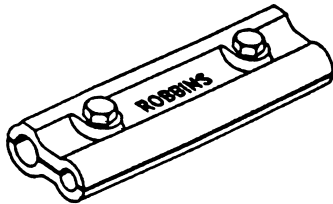
### COMBINATION SPLICERS

Heavy cast bronze or aluminum splicer for main cable through No. 605 to secondary wire or cable through 1/4" diameter – 4" long – two bolt tension on cable.

**Cat. No. 53** – Copper  
**Cat. No. A53** – Aluminum

Heavy cast bronze or aluminum splicer for main cable through No. 605 to secondary wire or cable through 1/4" diameter – 2" long – one bolt tension on cable.

**Cat. No. 53A** – Copper  
**Cat. No. A53A** – Aluminum



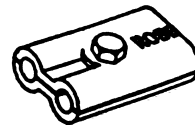
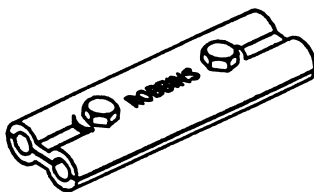
### SECONDARY WIRE SPLICERS

Heavy cast bronze or aluminum splicer for secondary wires and miniature cables through 1/4" diameter – 4" long – two bolt tension on cable.

**Cat. No. 58** – Copper  
**Cat. No. A58** – Aluminum

Heavy cast bronze or aluminum splicer for secondary wires and miniature cables through 1/4" diameter – 2" long – one bolt tension on cable.

**Cat. No. 58A** – Copper  
**Cat. No. A58A** – Aluminum



# ROBBINS LIGHTNING, INC.

124 EAST SECOND STREET PHONE (660) 582-3156 FAX (660) 582-3039 P.O. BOX 440 MARYVILLE, MISSOURI 64468-0440



## CABLE TO ROD OR PIPE CLAMPS

ALL ITEMS



Heavy cast bronze or aluminum bolt tension clamp for connecting cable to rod, pipe or tube. Cable and rod contact 4" long – for cables No. 1 through No. 605 – pipe sizes from 1/4" OD to 1-1/4" OD. May also be used as ground rod clamps.

### Copper

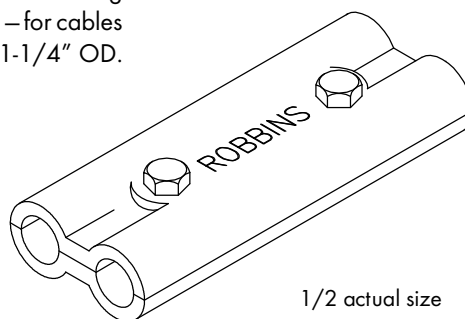
- Cat. No. 59 – for 1/4" rod
- Cat. No. 59A – for 3/8" rod
- Cat. No. 59B – for 1/2" rod
- Cat. No. 59C – for 5/8" rod
- Cat. No. 59D – for 3/4" rod
- Cat. No. 59E – for 1" rod
- Cat. No. 59F – for 1-1/4" rod

- Cat. No. 60 – for 3/8" OD pipe
- Cat. No. 60A – for 1/2" OD pipe
- Cat. No. 60B – for 3/4" OD pipe
- Cat. No. 60C – for 1" OD pipe
- Cat. No. 60D – for 1-1/4" OD pipe

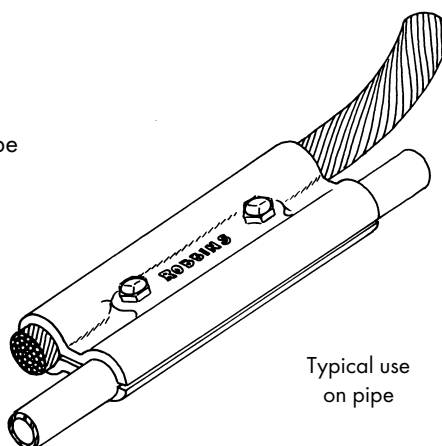
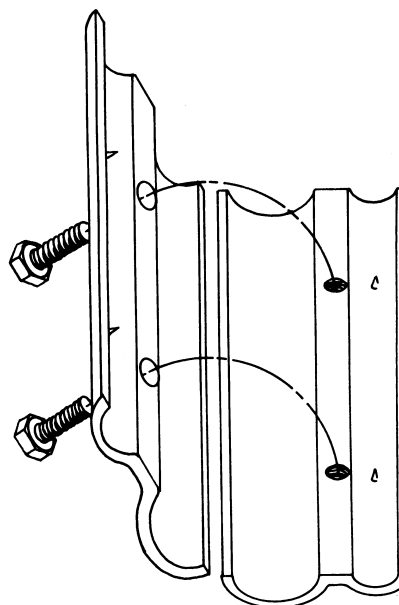
### Aluminum

- Cat. No. A59 – for 1/4" rod
- Cat. No. A59A – for 3/8" rod
- Cat. No. A59B – for 1/2" rod
- Cat. No. A59C – for 5/8" rod
- Cat. No. A59D – for 3/4" rod
- Cat. No. A59E – for 1" rod
- Cat. No. A59F – for 1-1/4" rod

- Cat. No. A60 – for 3/8" OD pipe
- Cat. No. A60A – for 1/2" OD pipe
- Cat. No. A60B – for 3/4" OD pipe
- Cat. No. A60C – for 1" OD pipe
- Cat. No. A60D – for 1-1/4" OD pipe



1/2 actual size



Typical use  
on pipe

# ROBBINS LIGHTNING, INC.

124 EAST SECOND STREET PHONE (660) 582-3156 FAX (660) 582-3039 P.O. BOX 440 MARYVILLE, MISSOURI 64468-0440



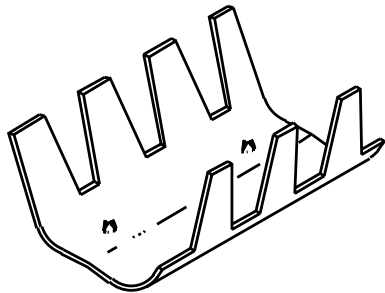
## ECONOMY CABLE SPLICERS



FOR CLASS I  
STRUCTURES  
ONLY

Stamped copper or aluminum cable splicers made from highest quality sheet metal—copper 0.064" thick, aluminum 0.100" thick—copper splicers available lead coated for corrosion resistance.

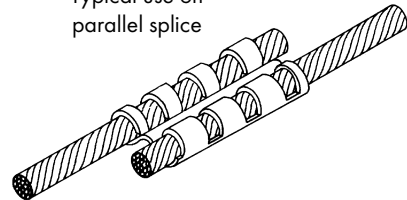
### DOUBLE SPLICER



1/2 actual size

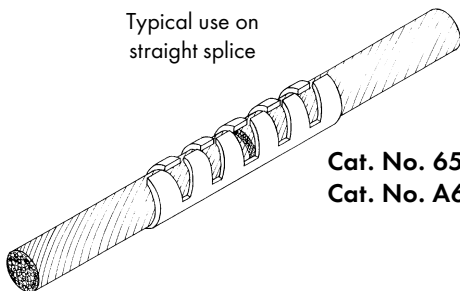
Cat. No. 66 – Copper  
Cat. No. A66 – Aluminum

Typical use on  
parallel splice

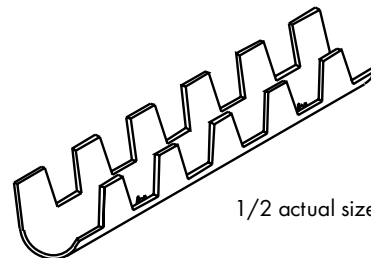


### STRAIGHT SPLICER

Typical use on  
straight splice

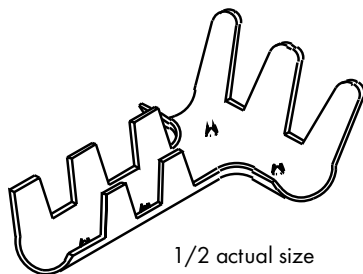


Cat. No. 65 – Copper  
Cat. No. A65 – Aluminum



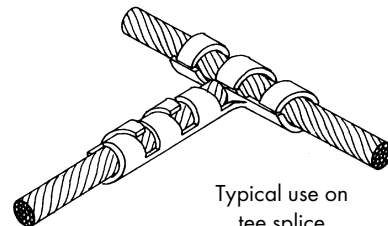
1/2 actual size

### TEE SPLICER



1/2 actual size

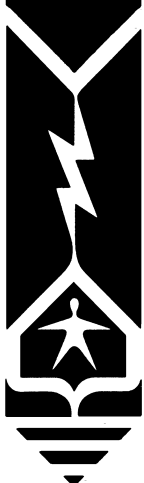
Cat. No. 64 – Copper  
Cat. No. A64 – Aluminum



Typical use on  
tee splice

# ROBBINS LIGHTNING, INC.

124 EAST SECOND STREET PHONE (660) 582-3156 FAX (660) 582-3039 P.O. BOX 440 MARYVILLE, MISSOURI 64468-0440



## UNIVERSAL CABLE SPLICER

ALL ITEMS



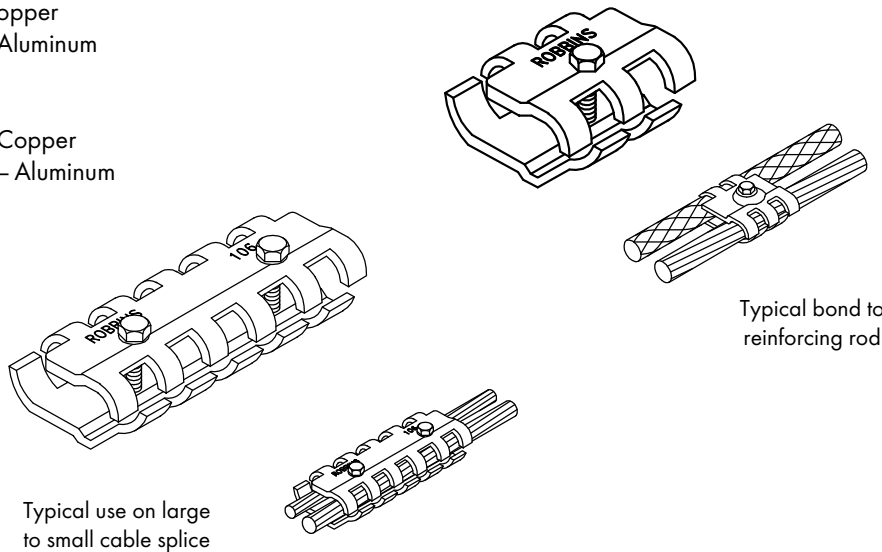
Heavy cast bronze or aluminum universal cable splicer with 5/16" diameter bolt for tension – for use with all combinations of cable or wire from 1/8" to 3/4" diameter. May also be used for bonding of reinforcing rod. Available in 4" contact length (No. 68 and No. A68) or 2" length (No. 68A or No. A68A).

**Cat. No. 68** – Copper

**Cat. No. A68** – Aluminum

**Cat. No. 68A** – Copper

**Cat. No. A68A** – Aluminum



Typical use on large to small cable splice

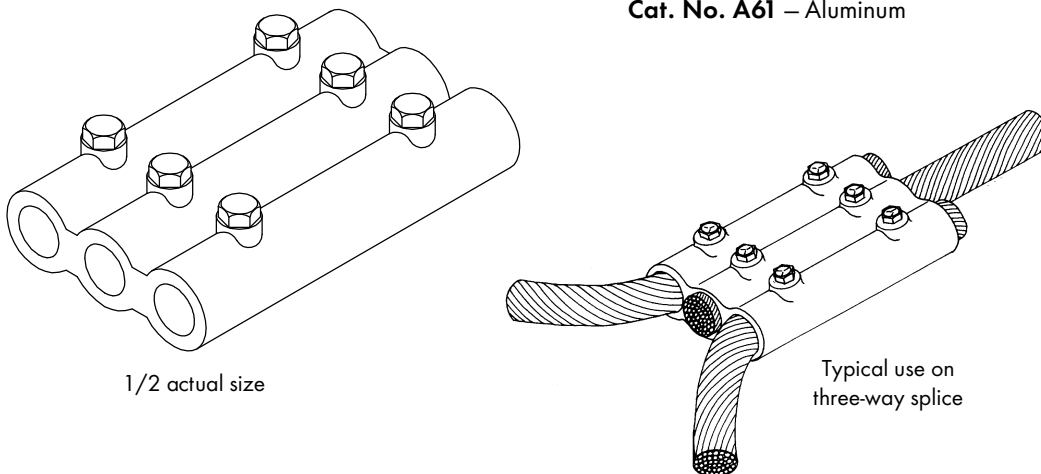
Typical bond to reinforcing rod

## THREE WAY SPLICER

Heavy cast bronze or aluminum splicer for three-way cable splice – two bolt tension on each cable – 4" contact length – for cables No. 1 through No. 605.

**Cat. No. 61** – Copper

**Cat. No. A61** – Aluminum

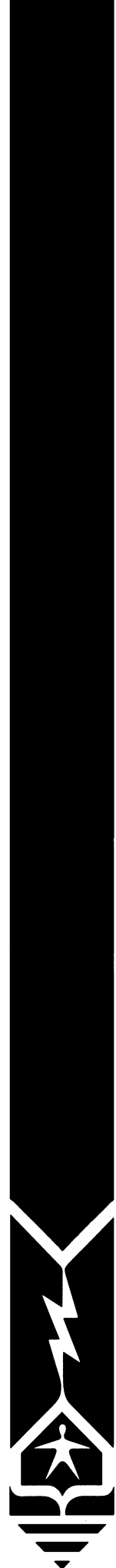


1/2 actual size

Typical use on three-way splice

# ROBBINS LIGHTNING, INC.

124 EAST SECOND STREET PHONE (660) 582-3156 FAX (660) 582-3039 P.O. BOX 440 MARYVILLE, MISSOURI 64468-0440



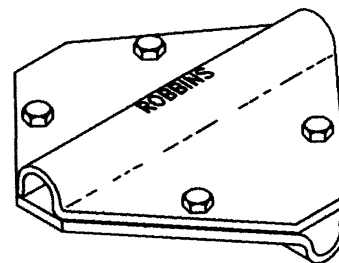
## CABLE SPLICERS



### CROSS RUN CABLE SPLICERS

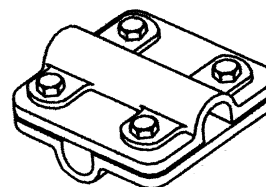
Heavy cast bronze or aluminum cable splicer with four 1/4" bolts for tension on cables – used when two cables cross in continuing runs – for copper or aluminum cables through 1/2" diameter, 4" contact both cables.

**Cat. No. 635** – Copper  
**Cat. No. A635** – Aluminum



Heavy cast bronze or aluminum cable splicer with four bolt tension on cables – for use when two cables cross in continuing runs – for cables through 1/2" diameter – 2-1/4" contact on both cables.

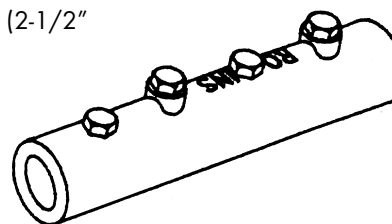
**Cat. No. 635A** – Copper  
**Cat. No. A635A** – Aluminum



### STRAIGHT SPLICER

Heavy cast bronze or aluminum cable splicer for straight run – two 1/4" bolts for tension on each cable end – 5" total length (2-1/2" contact each cable) – for all cables through No. 605.

**Cat. No. 65A** – Copper  
**Cat. No. A65A** – Aluminium



# ROBBINS LIGHTNING, INC.

124 EAST SECOND STREET PHONE (660) 582-3156 FAX (660) 582-3039 P.O. BOX 440 MARYVILLE, MISSOURI 64468-0440



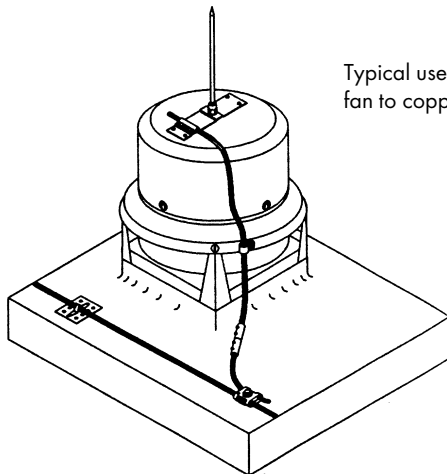
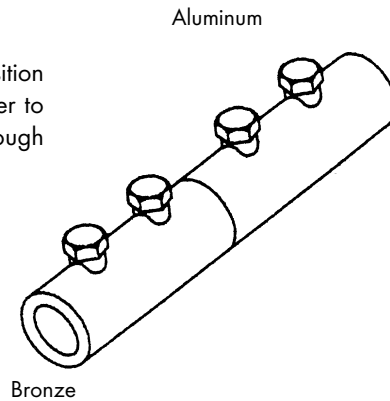
# BIMETALLIC CONNECTORS



## STRAIGHT BIMETALLIC CONNECTOR

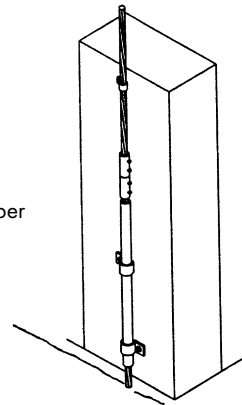
Cast combination bronze and aluminum connector for making transition from copper cable to aluminum cable. Molded and cast together to exclude moisture from joint. For use with copper cable No. 1 through No. 605 and aluminum cable No. A1 through No. A604.

Cat. No. A341



Typical use on aluminum fan to copper roof circuit

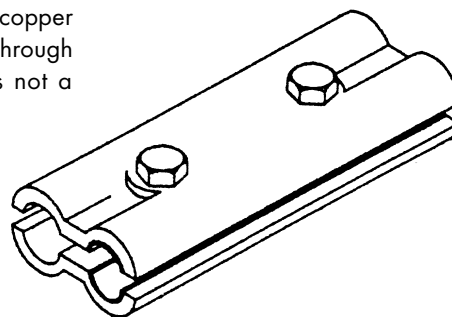
Typical aluminum downlead to copper ground cable.



## PARALLEL BIMETALLIC CONNECTOR

Zinc plated connector for making parallel transition from copper cable No. 1 through No. 605 to aluminum cable No. A1 through No. A604. For concealed use only where moisture is not a concern.

Cat. No. A340



# ROBBINS LIGHTNING, INC.

124 EAST SECOND STREET PHONE (660) 582-3156 FAX (660) 582-3039 P.O. BOX 440 MARYVILLE, MISSOURI 64468-0440

