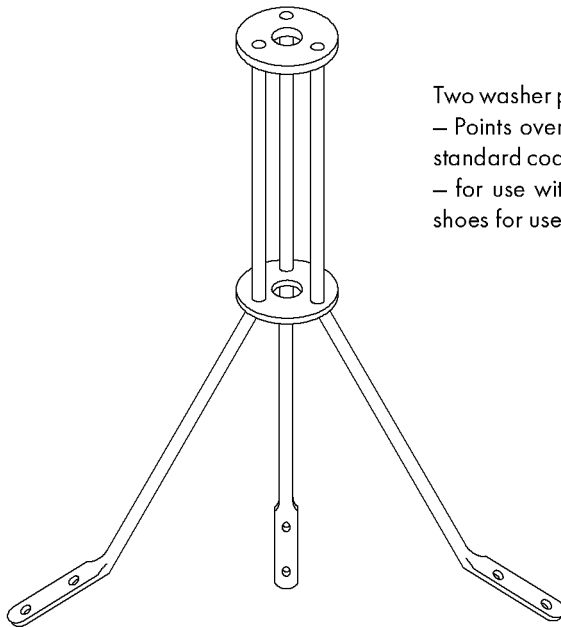


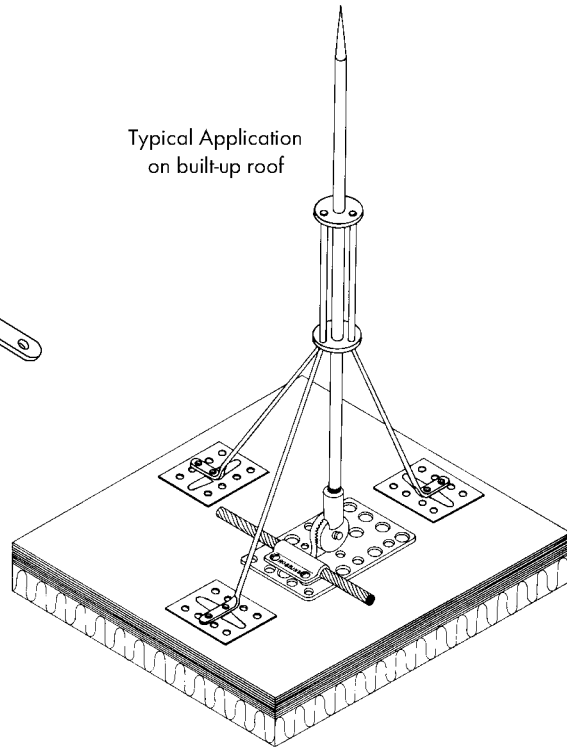
TRIPOD POINT BRACE



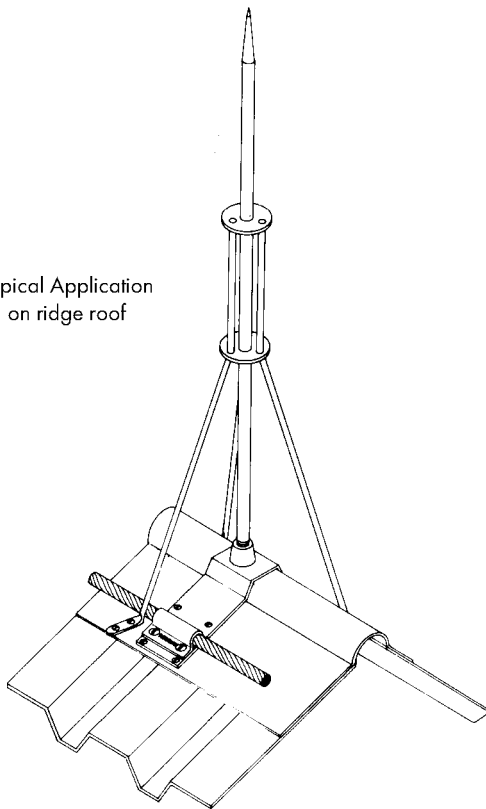
Two washer point brace made of galvanized steel or bare copper
 – Points over 24" in length require supplemental brace to meet standard codes – legs 1/4" diameter rod, washers heavy section
 – for use with nails, screws, or bolts – available with adhesive shoes for use on built-up tar and gravel or membrane roofing.

Specify diameter of point used with brace –
 3/8", 1/2" or 5/8".

Typical Application
 on built-up roof



Typical Application
 on ridge roof



Cat. No. 43-18G – Galvanized, 18" long

Cat. No. 43-18C – Copper, 18" long

Cat. No. 43-24G – Galvanized, 24" long

Cat. No. 43-24C – Copper, 24" long

Cat. No. 43-36G – Galvanized, 36" long

Cat. No. 43-36C – Copper, 36" long

Cat. No. 43-42G – Galvanized, 42" long

Cat. No. 43-42C – Copper, 42" long

Cat. No. 43-48G – Galvanized, 48" long

Cat. No. 43-48C – Copper, 48" long

NOTE: Add suffix "A" after above Catalog Numbers when adhesive shoes are needed.

Longer braces available on request.

ROBBINS LIGHTNING, INC.

124 EAST SECOND STREET PHONE (660) 582-3156 FAX (660) 582-3039 P.O. BOX 440 MARYVILLE, MISSOURI 64468-0440



PIPE CLAMP POINT HOLDER



Cast bronze or aluminum pipe clamp point holder for supporting points on pipe masts, obstruction lights, etc. — 1-1/2" surface contact along axis of pipe.

Copper

Cat. No. 63A-PH — For 3/4" to 1-1/2" OD pipe

Cat. No. 63B-PH — For 1-3/4" to 2-1/2" OD pipe

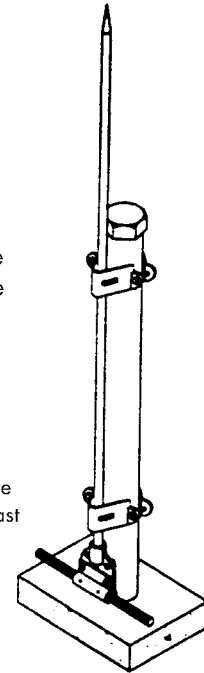
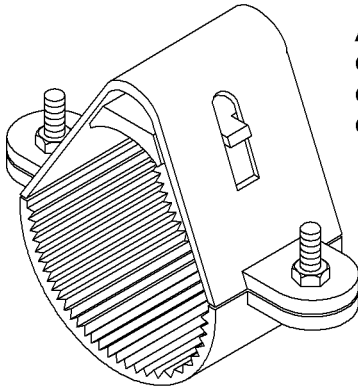
Cat. No. 63C-PH — For 2-1/2" to 4-1/2" OD pipe

Aluminum

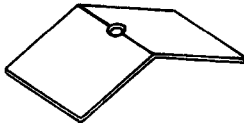
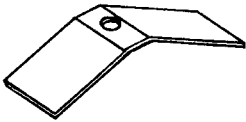
Cat. No. A63A-PH — For 3/4" to 1-1/2" OD pipe

Cat. No. A63B-PH — For 1-3/4" to 2-1/2" OD pipe

Cat. No. A63C-PH — For 2-1/2" to 4-1/2" OD pipe



Typical use
on pipe mast



Not to scale

CONCEALED POINT FLASHING SADDLE

Cat. No. 121FS — Copper

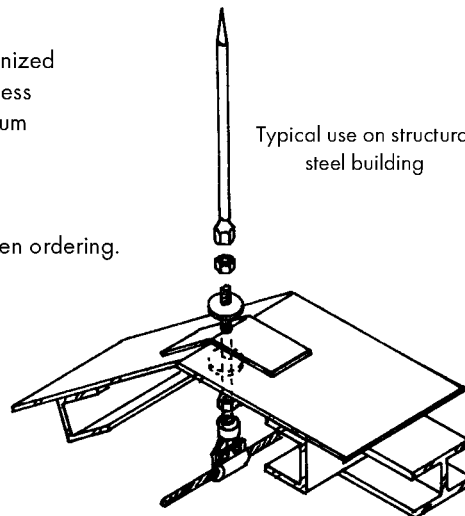
Cat. No. 121FS-G — Galvanized

Cat. No. 121FS-SS — Stainless

Cat. No. A121FS — Aluminum

NOTE: Dimensions for flashing saddle must be specified when ordering.

Standard Size is 3" x 10"



Typical use on structural
steel building

ROBBINS LIGHTNING, INC.

124 EAST SECOND STREET PHONE (660) 582-3156 FAX (660) 582-3039 P.O. BOX 440 MARYVILLE, MISSOURI 64468-0440



STAND-OFF POINT HOLDER



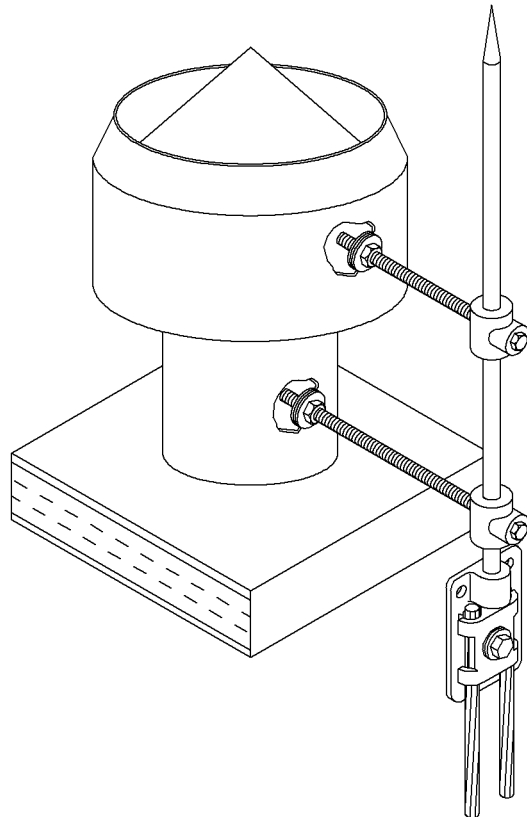
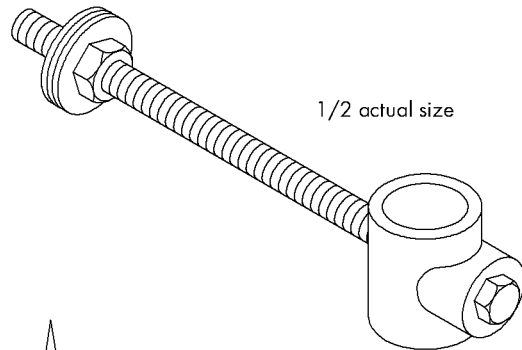
ADJUSTABLE POINT HOLDER

Cast bronze or aluminum point holder with adjustable threaded rod for irregular surface mounting – 3/8" rigid rod for support with two nuts and washers for locking on mounting surface – 1/4" set screw on point – standard rod length 6" – longer or shorter rod available.

Specify diameter of point – 3/8" or 1/2".

Cat. No. 653 – Copper

Cat. No. A653 – Aluminum



Typical use
on ventilator

ROBBINS LIGHTNING, INC.

124 EAST SECOND STREET PHONE (660) 582-3156 FAX (660) 582-3039 P.O. BOX 440 MARYVILLE, MISSOURI 64468-0440



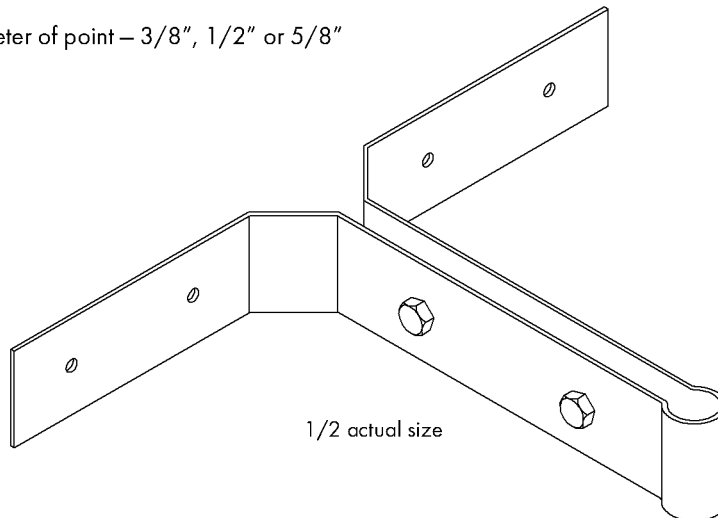
STAND-OFF POINT HOLDER



UNIVERSAL POINT HOLDER

Strap copper or aluminum point holder for use in varying lengths on flat or uneven surfaces – 1/4" bolts draw strap tight around point and secure at mounting – four mounting holes for metal screws or bolts with nuts – made from flat conductor strap No. 17 copper or No. A16 aluminum – stand off lengths over 8" not recommended.

Specify diameter of point – 3/8", 1/2" or 5/8"

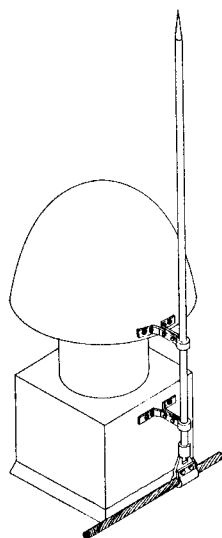


Copper

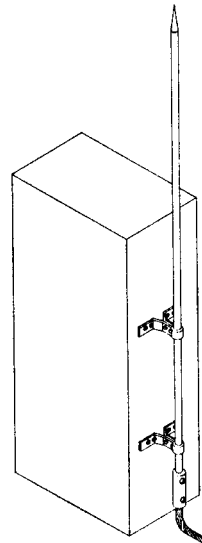
- Cat. No. 659-2 – Copper – 2" stand-off
- Cat. No. 659-4 – Copper – 4" stand-off
- Cat. No. 659-6 – Copper – 6" stand-off
- Cat. No. 659-8 – Copper – 8" stand-off

Aluminum

- Cat. No. A659-2 – Aluminum – 2" stand-off
- Cat. No. A659-4 – Aluminum – 4" stand-off
- Cat. No. A659-6 – Aluminum – 6" stand-off
- Cat. No. A659-8 – Aluminum – 8" stand-off



Typical use on curved vent cover



Typical use on metal hood

ROBBINS LIGHTNING, INC.

124 EAST SECOND STREET PHONE (660) 582-3156 FAX (660) 582-3039 P.O. BOX 440 MARYVILLE, MISSOURI 64468-0440

