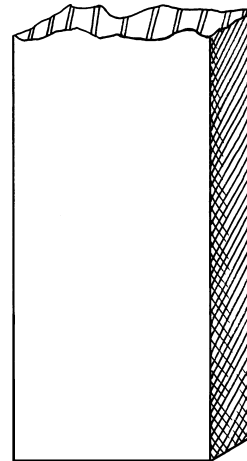


COPPER BUS BAR

RAW BAR

High conductivity copper bus bar – hard drawn for use with minimum support – may be formed cold or with little heat – available in standard mil lengths of 12 feet or less. Copper conductivity 100%.

- Cat. No. 608 – 1/16" thick, 1" wide
- Cat. No. 609 – 1/8" thick, 1" wide
- Cat. No. 609A – 1/8" thick, 3/4" wide
- Cat. No. 609B – 1/8" thick, 1-1/2" wide
- Cat. No. 609C – 1/8" thick, 2" wide
- Cat. No. 610 – 1/4" thick, 1" wide
- Cat. No. 610A – 1/4" thick, 3/4" wide
- Cat. No. 610B – 1/4" thick, 1-1/2" wide
- Cat. No. 610C – 1/4" thick, 2" wide



STANDARD DRILL

2 Holes for 3/8" clearance - Up to 24" long

3 Holes for 3/8" clearance - Up to 36" long

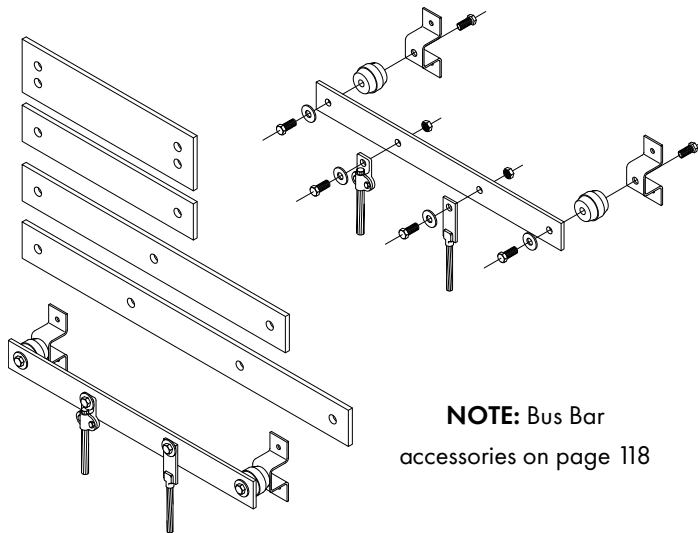
4 Holes for 3/8" clearance - Up to 48" long

- Cat. No. CB-A-12 – 1/4" x 1" x 12"
- Cat. No. CB-A-24 – 1/4" x 1" x 24"
- Cat. No. CB-A-36 – 1/4" x 1" x 36"
- Cat. No. CB-A-48 – 1/4" x 1" x 48"

- Cat. No. CB-B-12 – 1/4" x 1-1/4" x 12"
- Cat. No. CB-B-24 – 1/4" x 1-1/4" x 24"
- Cat. No. CB-B-36 – 1/4" x 1-1/4" x 36"
- Cat. No. CB-B-48 – 1/4" x 1-1/4" x 48"

- Cat. No. CB-C-12 – 1/4" x 1-1/2" x 12"
- Cat. No. CB-C-24 – 1/4" x 1-1/2" x 24"
- Cat. No. CB-C-36 – 1/4" x 1-1/2" x 36"
- Cat. No. CB-C-48 – 1/4" x 1-1/2" x 48"

- Cat. No. CB-D-12 – 1/4" x 2" x 12"
- Cat. No. CB-D-24 – 1/4" x 2" x 24"
- Cat. No. CB-D-36 – 1/4" x 2" x 36"
- Cat. No. CB-D-48 – 1/4" x 2" x 48"



NOTE: Bus Bar accessories on page 118

- Cat. No. CB-E-12 – 1/4" x 3" x 12"
- Cat. No. CB-E-24 – 1/4" x 3" x 24"
- Cat. No. CB-E-36 – 1/4" x 3" x 36"
- Cat. No. CB-E-48 – 1/4" x 3" x 48"

- Cat. No. CB-F-12 – 1/4" x 4" x 12"
- Cat. No. CB-F-24 – 1/4" x 4" x 24"
- Cat. No. CB-F-36 – 1/4" x 4" x 36"
- Cat. No. CB-F-48 – 1/4" x 4" x 48"

ROBBINS LIGHTNING, INC.

124 EAST SECOND STREET PHONE (660) 582-3156 FAX (660) 582-3039 P.O. BOX 440 MARYVILLE, MISSOURI 64468-0440

