

PIPE AND HANDRAIL POINT BASE



Tinned copper or aluminum strap point base for use on pipe or handrail where cable run is not required – draws tight to pipe under bolt tension – bronze or aluminum point holder will accept 3/8", 1/2" or 5/8" points – base has 2-1/2" contact along axis of pipe – available in all pipe sizes upon request. Used on hand rails that are at least 0.064" thick or greater. Minimum contact area - 13 in².

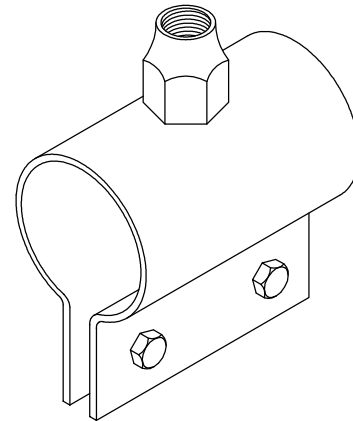
Specify diameter of point – 3/8", 1/2", or 5/8".

Copper

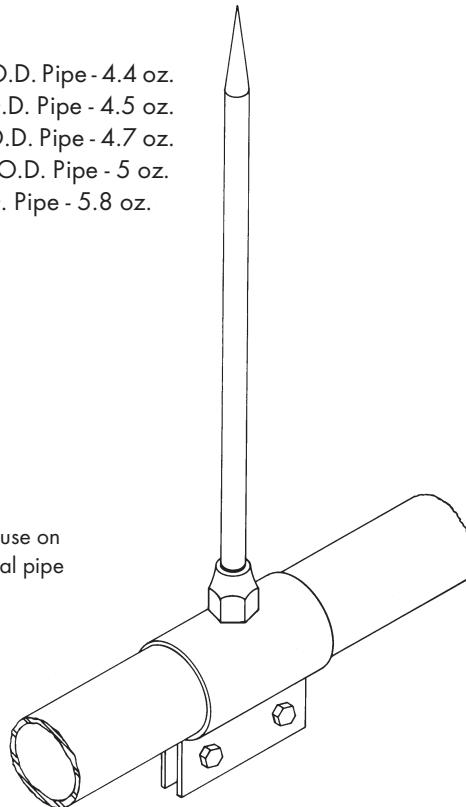
- Cat. No. **672A** – for 1.660" O.D. Pipe - 8.9 oz.
- Cat. No. **672B** – for 1.90" O.D. Pipe - 9.2 oz.
- Cat. No. **672C** – for 2.375" O.D. Pipe - 9.6 oz.
- Cat. No. **672D** – for 2.875" O.D. Pipe - 10.1 oz.
- Cat. No. **672E** – for 4.5" O.D. Pipe - 11.6 oz.

Aluminum

- Cat. No. **A672A** – for 1.660" O.D. Pipe - 4.4 oz.
- Cat. No. **A672B** – for 1.90" O.D. Pipe - 4.5 oz.
- Cat. No. **A672C** – for 2.375" O.D. Pipe - 4.7 oz.
- Cat. No. **A672D** – for 2.875" O.D. Pipe - 5 oz.
- Cat. No. **A672E** – for 4.5" O.D. Pipe - 5.8 oz.



Typical use on horizontal pipe



ROBBINS LIGHTNING, INC.

124 EAST SECOND STREET PHONE (660) 582-3156 FAX (660) 582-3039 P.O. BOX 440 MARYVILLE, MISSOURI 64468-0440

