

CONCEALED RIDGE POINT BASE



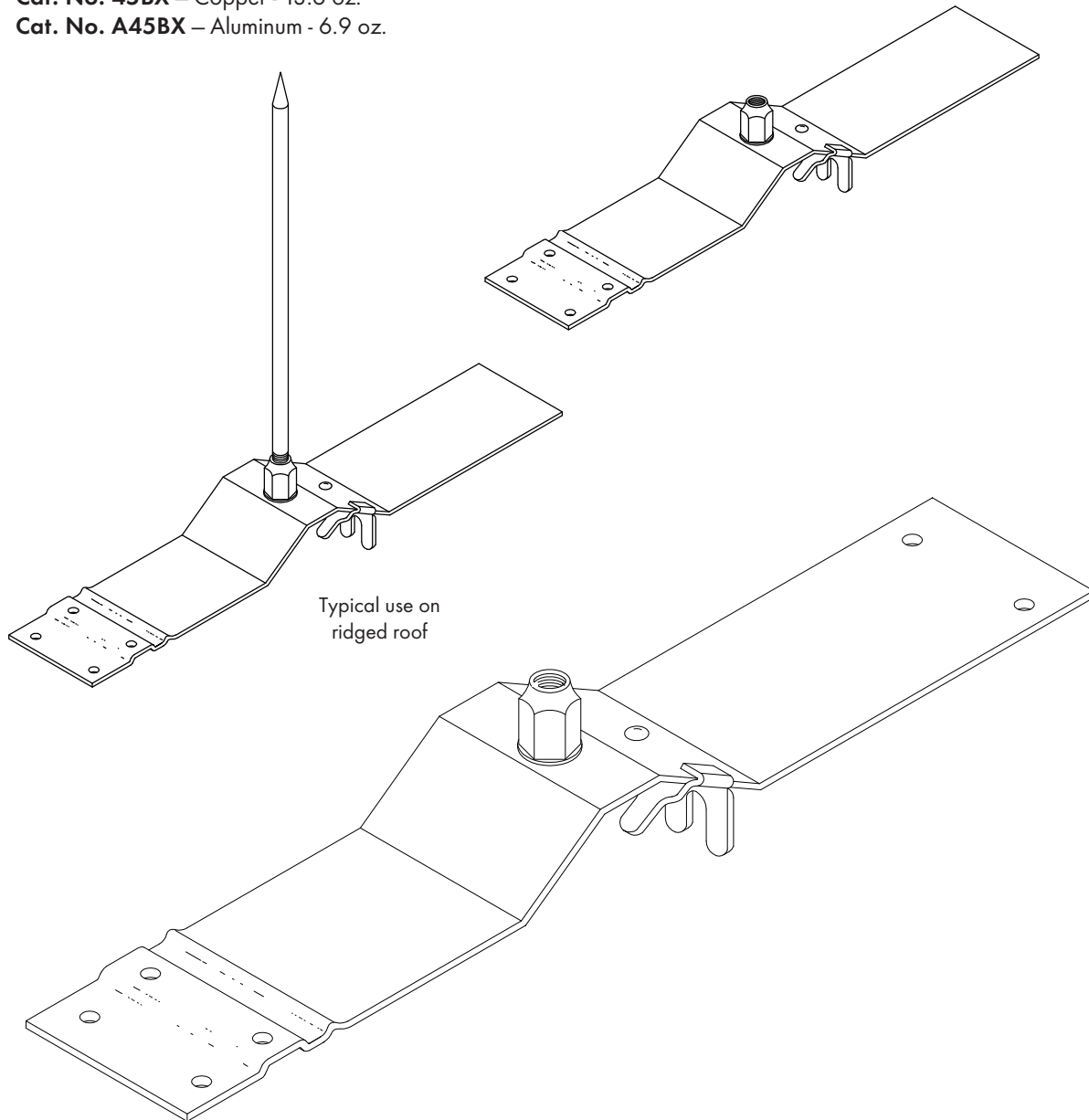
FOR CLASS I
STRUCTURES
ONLY

Copper or aluminum strap type point base with compression cable holder under center – for installation on ridge where cable is run exactly at ridge under asphalt or wood roof shingles – copper 0.064" thick, aluminum 0.100" thick – base 2-1/2" wide, 12" long with cable holder contact 2-1/2" long. For main sized cables.

Specify diameter of point – 3/8", 1/2", or 5/8".

Cat. No. 45BX – Copper - 13.6 oz.

Cat. No. A45BX – Aluminum - 6.9 oz.



ROBBINS LIGHTNING, INC.

124 EAST SECOND STREET PHONE (660) 582-3156 FAX (660) 582-3039 P.O. BOX 440 MARYVILLE, MISSOURI 64468-0440

